

PROJECT NAME	JOB NO.	QUANTITY	ITEM NO
--------------	---------	----------	---------

Deli low profile service case

MODEL LLLGD



Low profile deli service case with lift-up glass Model LLLGD shown with optional shelf and lower front lighting.

General Information

Refcon low profile deli service cases have the sleek Euro design that will attract customers to your deli. The tempered curved front glass lifts and closes easily, giving employees comfortable access for loading and cleaning.

An optional mezzanine shelf offers a unique look for additional capacity and can be ordered dry or refrigerated.

Refcon low profile deli cases are designed for maximum product presentation value and built from tough, easy-to-clean laminates and stainless steel.

Inside, standard 3500K interior lighting offers a bright, attention-getting display. Electronic controls and digital temperature display make it easy to keep products cold while using energy efficiently.

A wide choice of options are available to help you customize your Refcon cases, including Lexan® ends, sliding rear doors and a custom powder painted interior. Cases can also be designed for a continuous case line up.

Standard Features

- Tempered curved lift-up glass.
- Interior stainless steel deck and rear plenum.
- Lexan® ends.
- Exterior standard grade plastic laminate (matte finish).
- 3500K fluorescent lights.
- Digital temperature display.
- Condensate evaporator (self-contained units).
- Electronic temperature and defrost control (self-contained units).

Options

- One-way mirror ends
- Solid mirror ends
- Tiered display insert
 - 1 step for 2-level display
 - 2 steps for 3-level display
- Black powder painted interior
- Scale platform
- Front cart bumper
- Rear flip-up cutting board
- Mezzanine display
 - Dry—glass shelf with light
 - Refrigerated—glass shelf with light and Lexan® sliding rear doors
- Lower front decorative lighting
- LED lighting
- Continuous case line up
- Lexan® sliding rear doors
- GFI convenience outlet 15A
- Remote refrigeration temperature control package
- Power cord and plug
- 1-year labor warranty
- 5-year compressor warranty

Designed to operate in air conditioned space maintained at 75°F (24°C) and 55% relative humidity. Continuing product improvement may subject specifications to change without notice.

CUSTOMER NAME	
<input type="checkbox"/> APPROVED	<input type="checkbox"/> APPROVED AS NOTED
<input type="checkbox"/> RESUBMIT	
AUTHORIZED SIGNATURE	DATE

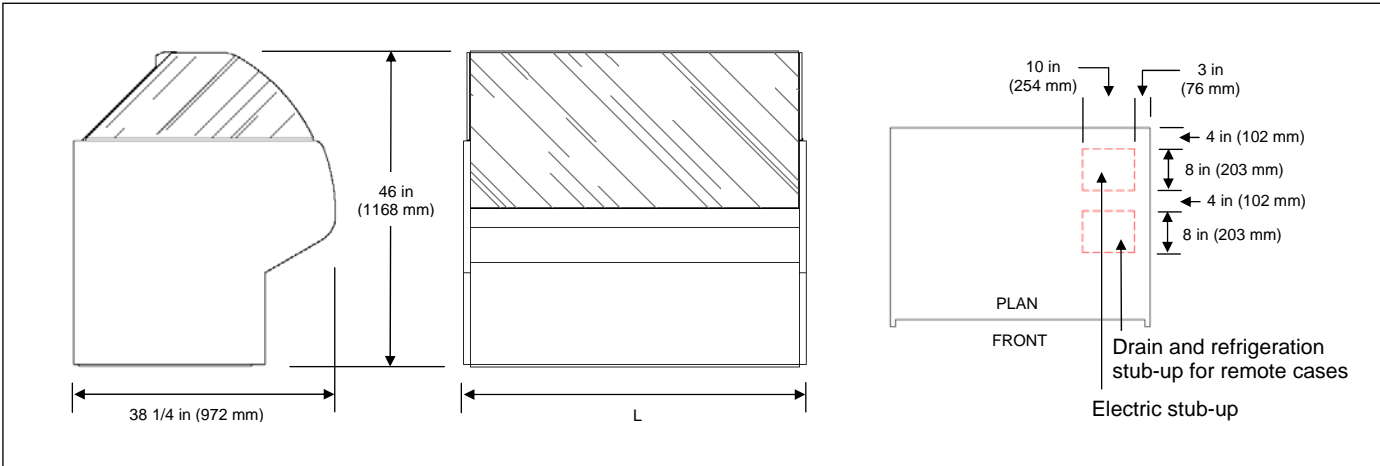


Refcon Inc.
 335 Chestnut Street Norwood, NJ 07648 USA
 Tel: (201) 750-5060
 Fax: (201) 750-5066
 e-mail: sales@refconcase.com
REFCON™ www.refconcase.com

PROJECT	ITEM NO
---------	---------

Deli low profile service case

MODEL LLLGD







	Model	Dimensions		Refrigeration requirements	Crated Weight	
		(L x D x H) in	(L x D x H) mm		lb	kg
Self-contained Refrigeration	LLLGDS048	50 x 38 1/4 x 46	1270 x 972 x 1168	1/3 HP	895	406
	LLLGDS072	74 x 38 1/4 x 46	1880 x 972 x 1168	1/2 HP	1015	461
	LLLGDS096	98 x 38 1/4 x 46	2489 x 972 x 1168	3/4 HP	1150	522
	LLLGDS144	146 x 38 1/4 x 46	3708 x 972 x 1168	3/4 HP	2030	922
Remote Refrigeration (R404a)	LLLGDR048	50 x 38 1/4 x 46	1270 x 972 x 1168	2000 @ +15	845	384
	LLLGDR072	74 x 38 1/4 x 46	1880 x 972 x 1168	3000 @ +15	960	436
	LLLGDR096	98 x 38 1/4 x 46	2489 x 972 x 1168	4000 @ +15	1100	499
	LLLGDR144	146 x 38 1/4 x 46	3708 x 972 x 1168	6000 @ +15	1950	890

Laboratory certifications



Electrical

	Model	Volts	Phase	Cycle/Hz	Watts	MCA	Plug type (optional)
Self-contained Refrigeration	LLLGDS048	120	1	60	1503	13	NEMA 5-15P 
	LLLGDS072	120	1	60	2305	21	NEMA L5-30P 
	LLLGDS096	120-208	1	60	3288	22	NEMA L14-30P 
	LLLGDS144	120-208	1	60	3916	26	
Remote Refrigeration (R404a)	LLLGDR048	120	1	60	207	3	NEMA 5-15P 
	LLLGDR072	120	1	60	217	3	
	LLLGDR096	120	1	60	415	5	
	LLLGDR144	120	1	60	504	5	

NOTE: Floor drain required for remote units.

Please specify exterior finish:



Refcon Inc.

Tel: (201) 750-5060
www.refconcase.com