

PROJECT NAME	JOB NO.	QUANTITY	ITEM NO
--------------	---------	----------	---------

# Deli low profile self-service case

MODEL SLLGD



Low profile self-serve deli case  
Model SLLGD

## General Information

Refcon low profile self-service deli cases have the sleek Euro design that will attract customers to your deli. Top-open self-service design gives them comfortable and complete access to packaged products. For the deli operator, this design enables self-service cases to exactly match other Refcon low-profile cases in your case line.

Refcon low profile deli cases are designed for maximum product presentation value and built from

tough, easy-to-clean laminates and stainless steel.

Inside, standard stainless steel deck and plenum combines durable, hygienic surfaces with excellent display qualities. Electronic controls and digital temperature display make it easy to keep products at the right temperatures while using energy efficiently.

A wide choice of options are available to help you customize your Refcon cases, including mirrored ends, two or three-step stainless steel display and a custom powder painted interior. Cases can also be designed for a continuous case line up.

## Standard Features

- Interior stainless steel deck, rear plenum, and ends.
- Exterior standard grade plastic laminate (matte finish).
- Digital temperature display.
- Condensate evaporator (self-contained units).
- Electronic temperature and defrost control (self-contained units).

## Options

- Tiered display insert
  - 1 step for 2-level display
  - 2 steps for 3-level display
- Black powder painted interior
- Front cart bumper
- Lower front decorative lighting
- Continuous case line up
- Remote refrigeration temperature control package
- Power cord and plug
- 1-year labor warranty
- 5-year compressor warranty

Designed to operate in air conditioned space maintained at 75°F (24°C) and 55% relative humidity. Continuing product improvement may subject specifications to change without notice.

CUSTOMER NAME	
<input type="checkbox"/> APPROVED	<input type="checkbox"/> APPROVED AS NOTED
<input type="checkbox"/> RESUBMIT	
AUTHORIZED SIGNATURE	DATE

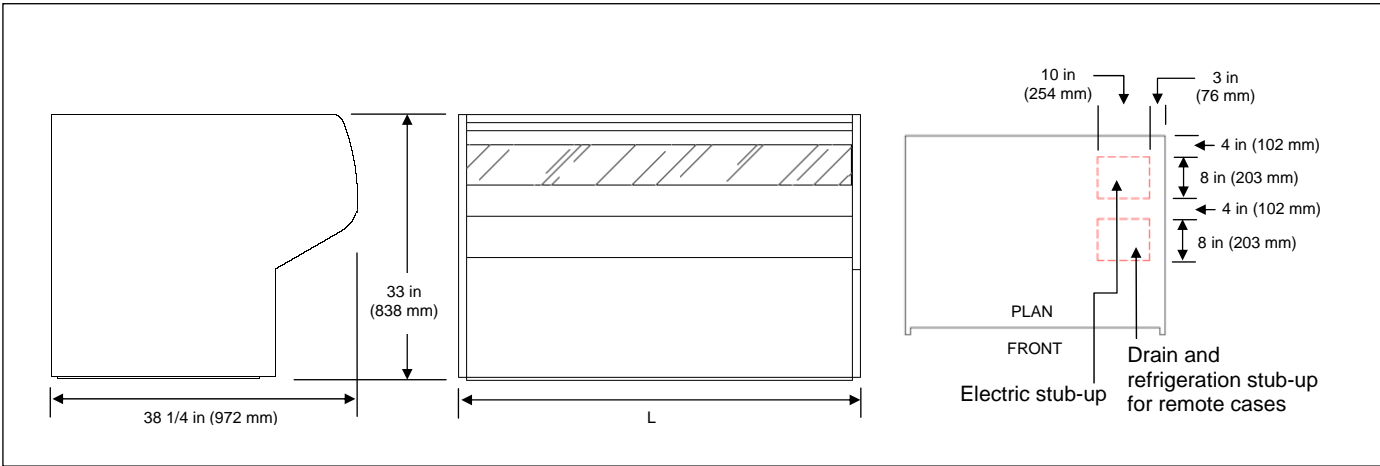


**Refcon Inc.**  
335 Chestnut Street Norwood, NJ 07648 USA  
Tel: (201) 750-5060  
Fax: (201) 750-5066  
e-mail: sales@refconcase.com  
[www.refconcase.com](http://www.refconcase.com)

PROJECT	ITEM NO
---------	---------

# Deli low profile self-service case

MODEL SLLGD





	Model	Dimensions		Refrigeration requirements	Crated Weight	
		(L x D x H) in	(L x D x H) mm		lb	kg
Self-contained Refrigeration	SLLGDS048	50 x 38 1/4 x 33	1270 x 972 x 838	1/3 HP	695	315
	SLLGDS072	74 x 38 1/4 x 33	1880 x 972 x 838	1/2 HP	774	351
	SLLGDS096	98 x 38 1/4 x 33	2489 x 972 x 838	3/4 HP	882	400
Remote Refrigeration (R404a)	SLLGDR048	50 x 38 1/4 x 33	1270 x 972 x 838	2500 @ +15	630	286
	SLLGDR072	74 x 38 1/4 x 33	1880 x 972 x 838	3750 @ +15	720	327
	SLLGDR096	98 x 38 1/4 x 33	2489 x 972 x 838	5000 @ +15	810	368
	SLLGDR144	146 x 38 1/4 x 33	3708 x 972 x 838	7500 @ +15	1260	572

Laboratory certifications



## Electrical

	Model	Volts	Phase	Cycle/Hz	Watts	MCA	Plug type (optional)
Self-contained Refrigeration	SLLGDS048	120	1	60	2282	23.4	NEMA L5-30P 
	SLLGDS072	120-208	1	60	2482	25.3	
	SLLGDS096	120-208	1	60	3083	18.4	NEMA L14-20P 
Remote Refrigeration (R404a)	SLLGDR048	120	1	60	70	1	NEMA 5-15P 
	SLLGDR072	120	1	60	70	2	
	SLLGDR096	120	1	60	139	2	
	SLLGDR144	120	1	60	139	2	

NOTE: Floor drain required for remote units.

Please specify exterior finish:



Refcon Inc.

Tel: (201) 750-5060  
www.refconcase.com