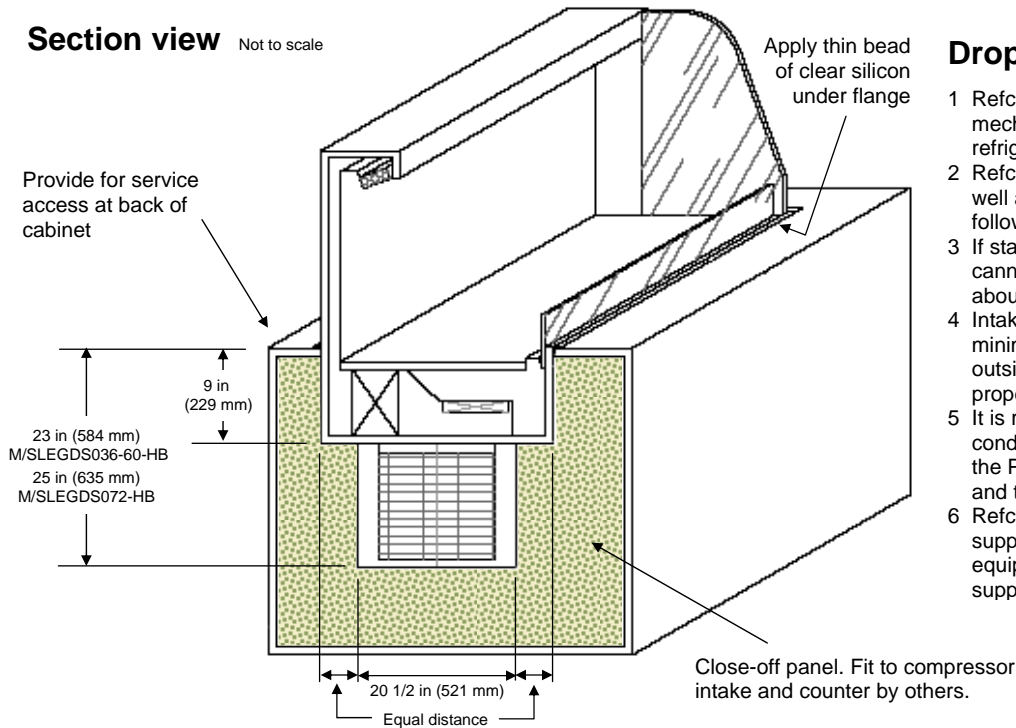


PROJECT NAME	JOB NO.	ITEM NO.
--------------	---------	----------

Cafeteria refrigerated tower case drop-in installation detail

MODEL M/SLEGDS-HB

Section view Not to scale

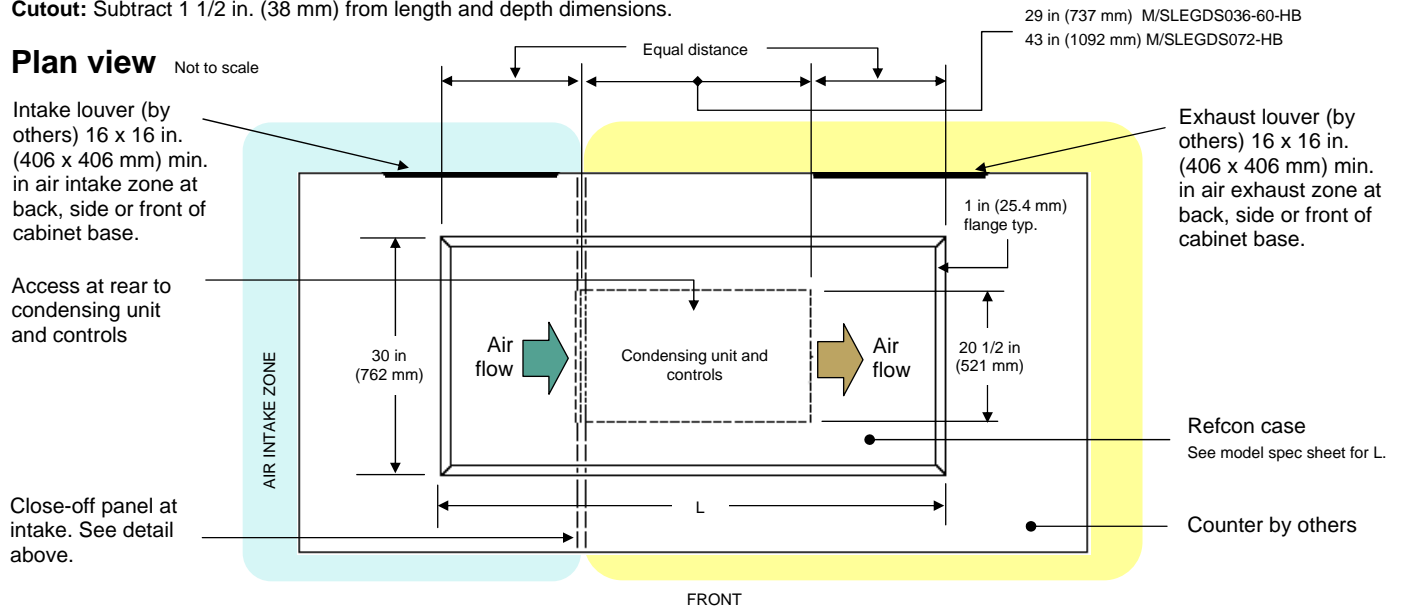


Drop-in installation notes

- 1 Refcon Drop-ins should be installed by mechanics familiar with the installation of refrigeration equipment.
- 2 Refcon Service and Installation Manual as well as this Installation Detail sheet should be followed during installation.
- 3 If standard air flow pattern shown below cannot be followed, Refcon must be advised about that to suggest an alternative.
- 4 Intake and exhaust louvers must have a minimum of 4 in. (102 mm) unobstructed outside space for air cooling to function properly.
- 5 It is recommended that access to the condensing unit be provided as indicated on the Plan View below for easy maintenance and technical service.
- 6 Refcon offers free telephone installation support for installation of any Refcon equipment. Call to schedule the installation support session.

Cutout: Subtract 1 1/2 in. (38 mm) from length and depth dimensions.

Plan view Not to scale



Designed to operate in air conditioned space maintained at 75°F (24°C) and 55% relative humidity. Continuing product improvement may subject specifications to change without notice.

CUSTOMER NAME	
<input type="checkbox"/> APPROVED	<input type="checkbox"/> APPROVED AS NOTED
<input type="checkbox"/> RESUBMIT	
AUTHORIZED SIGNATURE	DATE



Refcon Inc.
 335 Chestnut Street Norwood, NJ 07648 USA
 Tel: (201) 750-5060
 Fax: (201) 750-5066
 e-mail: sales@refconcase.com
 www.refconcase.com