

PROJECT  
NAME

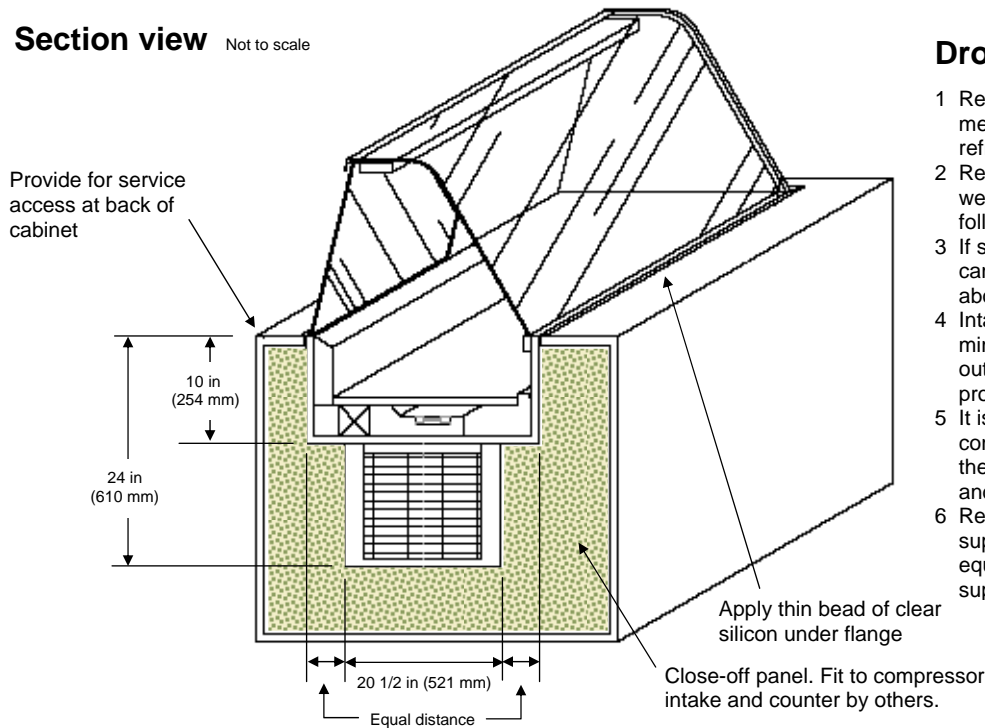
JOB NO.

ITEM NO.

# Cafeteria service refrigerated case drop-in installation detail

MODEL **M/GMAJDS**

## Section view Not to scale

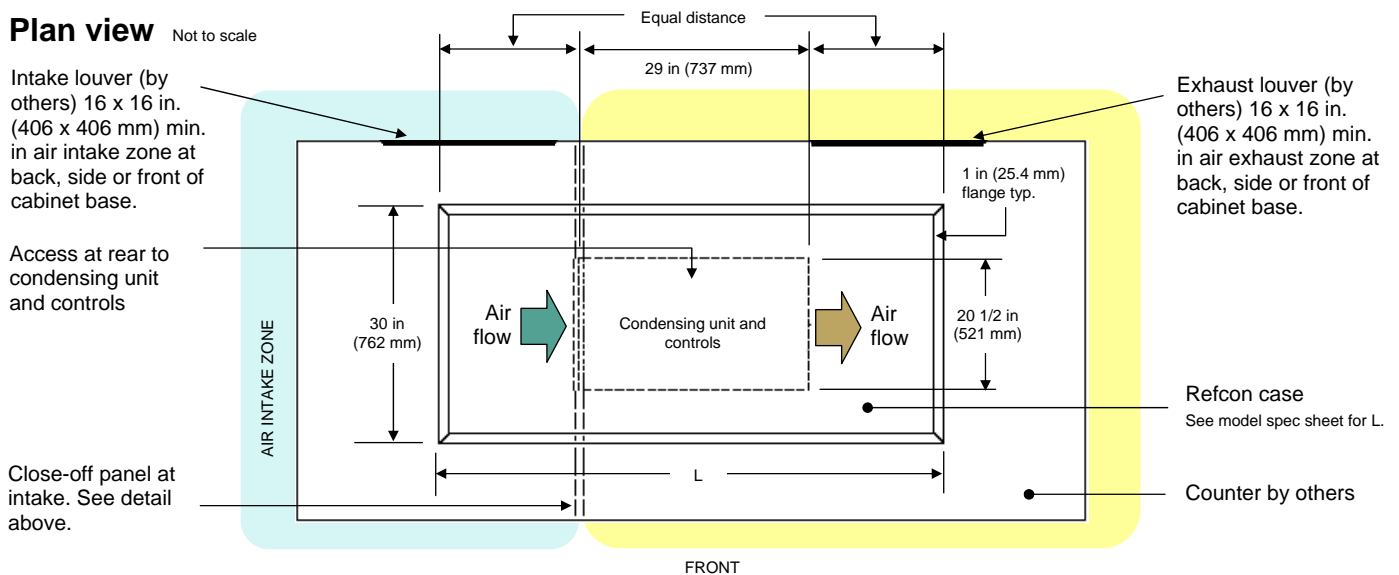


## Drop-in installation notes

- 1 Refcon Drop-ins should be installed by mechanics familiar with the installation of refrigeration equipment.
- 2 Refcon Service and Installation Manual as well as this Installation Detail sheet should be followed during installation.
- 3 If standard air flow pattern shown below cannot be followed, Refcon must be advised about that to suggest an alternative.
- 4 Intake and exhaust louvers must have a minimum of 4 in. (102 mm) unobstructed outside space for air cooling to function properly.
- 5 It is recommended that access to the condensing unit be provided as indicated on the Plan View below for easy maintenance and technical service.
- 6 Refcon offers free telephone installation support for installation of any Refcon equipment. Call to schedule the installation support session.

**Cutout:** Subtract 1 1/2 in. (38 mm) from length and depth dimensions.

## Plan view Not to scale



Designed to operate in air conditioned space maintained at 75°F (24°C) and 55% relative humidity. Continuing product improvement may subject specifications to change without notice.

CUSTOMER NAME	
<input type="checkbox"/> APPROVED	<input type="checkbox"/> APPROVED AS NOTED
<input type="checkbox"/> RESUBMIT	
AUTHORIZED SIGNATURE	DATE



**Refcon Inc.**  
 335 Chestnut Street Norwood, NJ 07648 USA  
 Tel: (201) 750-5060  
 Fax: (201) 750-5066  
 e-mail: sales@refconcase.com  
 www.refconcase.com